

Warmers LFG-Series

Our line of warmers attracts customers to your prepared food offering.

The clear, curved glass and wide shelves make this unit not only aesthetically pleasing but functional as well.

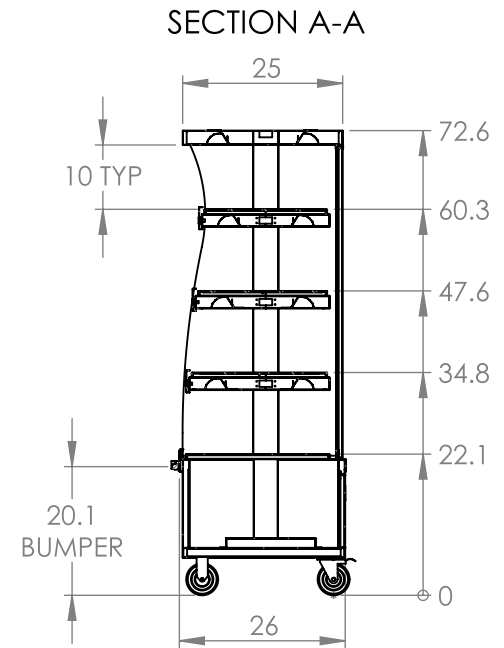
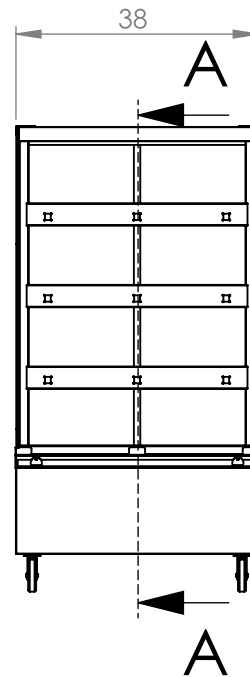
- 100% Stainless Steel.
- Individual on/off switch per shelf for energy savings.
- Temperature factory set for optimal holding quality.
- 3/8" thick glass on sides and back.
- N.S.F. approved.*
- Mirror glass doors for easy loading from the back.
- Various size options available.



LFG-2638-IL-4T



LFG-2272-3T-GL



*NSF Certification available for certain models inquire with factory Rev date: 03-24 Ver: 1.2

1235 St. Amour, Saint-Laurent, QC, Canada H4S 1T4



WWW.FRANESSE.CA

877.336.9191

