

Salad Bin Accessories



Appeal.



Attract.



Amaze.

Category Management That Really Appeals

Carlson AirFlo® bin styles range from anodized aluminum and plastic to terra cotta and provide the perfect look for your department's displays. **Outshine. Outsell. Outperform.**



P 514.336.9191 or 877.336.9191 info@franesse.ca

© 2013 All rights reserved. Carlson AirFlo is a registered trademark of Stein Industries, Inc. DI102.062013



Features:

Getting Your Customers to Say “WOW!”

Getting your customers to say “WOW!” about Carlson AirFlo Merchandising Systems starts by “how” we can save you money, reduce shrink, lower labor costs and ultimately, drive your sales and profits up.

Aluminum Salad Bin Benefits:

- Ideal display for bulk salad mix, mushrooms, peppers and cooking vegetables.
- Our Aluminum Salad Bin with removable clear fronts are designed in rust resistant, cold conducting anodized aluminum.
- Side panels prevent air drying of product.
- Contains a sloped false bottom, so you can achieve abundant looking bulk displays with less inventory.
- Shrink reduction due to quicker turnover.
- All aluminum base bins are constructed with added strength for merchandising larger, heavier products.

Plastic Salad Bins:

- Case compatible for easy merchandising.
- Solid surface eliminates the need for a case liner, thus reducing labor costs and eliminating the bacteria breeding ground and odors.
- Fully hinged top lid for product protection.
- Compartment bins for merchandising smaller items that require less space.

Please note: Optional tong and tether kit available for customer friendly handling of product.

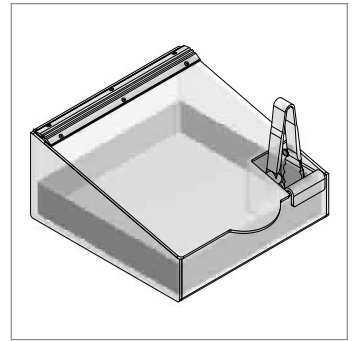
Options:



Terra Cotta Bowl 12" Diameter – Part #: X9943
16" Diameter – Part #: X9944



24" x 16" Salad Bin with Aluminum Pan & Tong Holder – Part #: 56012043



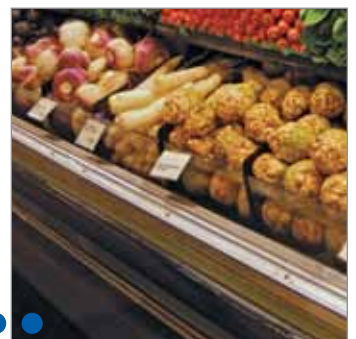
12" x 12" Salad Bin Knobless Salad Bin with Aluminum Pan & Tong Holder – Part #: 56015443



46" PETG Compartment Bin w/Lid – Part #: X5581246



24"W x 22"D x 10"H Aluminum Salad Bin with Removable Clear Front Part #: X582210-24B



12"W x 22"D x 10"H Aluminum Salad Bin with Removable Clear Front Part #: X582210-12B



P 514.336.9191 or 877.336.9191 info@franesse.ca

